



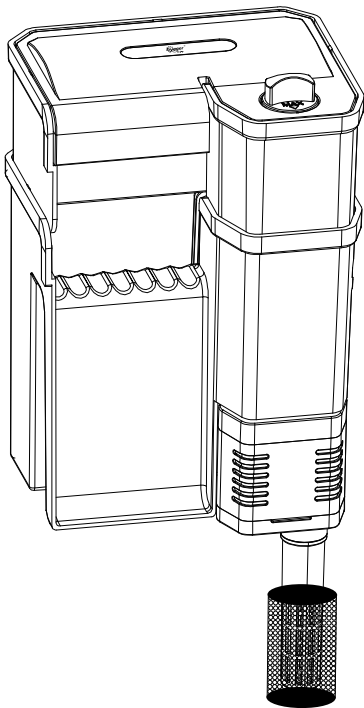
E-mail: distributor@hyggeraquarium.com

Website: www.hyggeraquarium.com

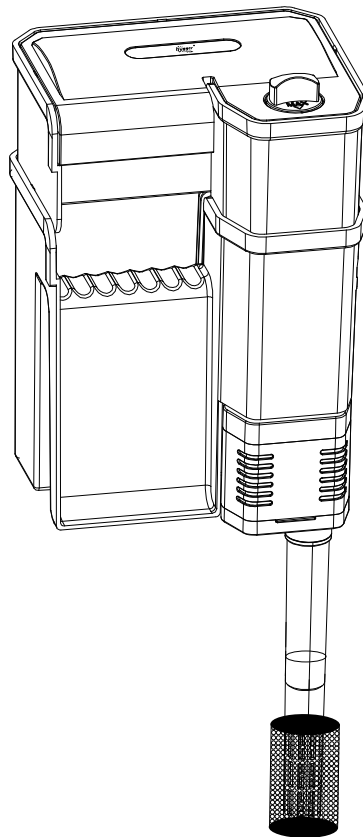


HG099 USER MANUAL

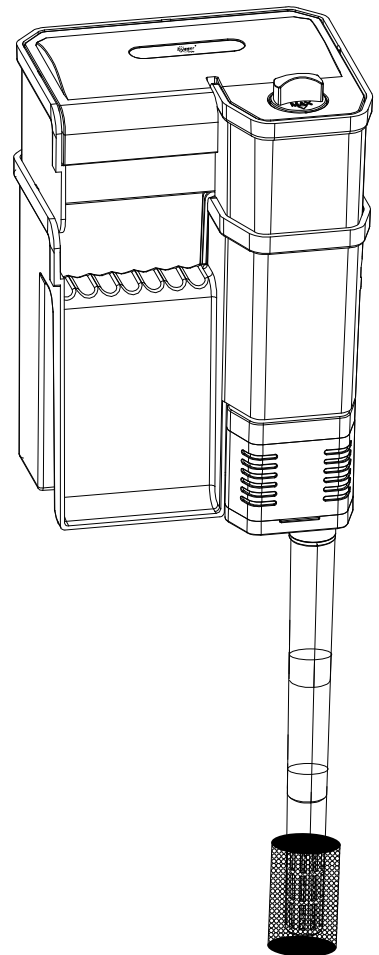
hygger Crystal Aquarium Filter



HG099-S



HG099-M



HG099-L

hygger Crystal Aquarium Filter is hung over the aquarium glass. The filter purifies and stabilizes the aquarium water by utilizing the activated carbon sponge insert and biochemical filter balls, thus creating healthy living conditions for the fish and invertebrates in the aquarium.

1. PRODUCT FEATURES

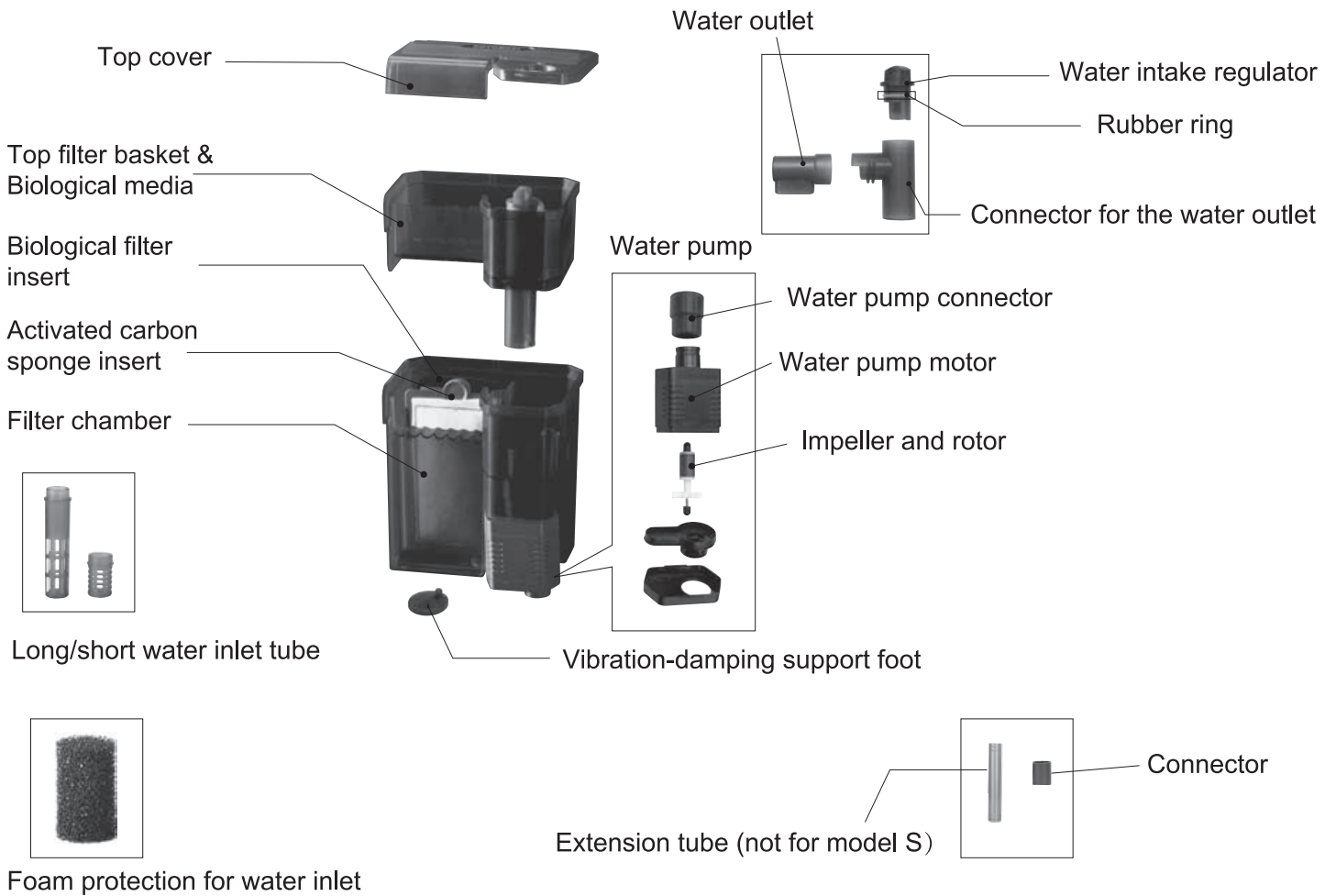
- Double-layer filter chamber for flexible use of different filter media.
- Smooth running. Vibration-damping support absorbs the vibrations of the pump.
- Activated carbon sponge insert and biochemical filter balls effectively filter suspended particles, provide a colonization surface for beneficial bacteria, and stabilize the water quality.
- The extended outlet surface ensures more oxygen can be dissolved in the water.
- The water pump has a copper motor for a longer service life.
- The flow rate can be adjusted at the water outlet
- Automatic water intake, no manual starting aid required.
- Suitable for aquariums with a glass thickness of up to 0.7 inches(18MM).

2. PRODUCT SPECIFICATIONS

Model	HG099-S	HG099-M	HG099-L
Power	5W	6W	7W
Volt/Freq	US standard: AC110-120V/60Hz EU/UK /AU standard: AC220-240V/50Hz		
Flow rate	79GPH	100GPH	153GPH
	(300L/H)	(380L/H)	(580L/H)
Size	4.5"x4"x11"	5.6"x4.7"x15.9"	6.7"x4.7"x19.4"
	11.4CM(L)x10.2(W) X28CM(H)	14.3CM(L)x12CM(W) X40.5CM(H)	17CM(L)x12CM(W) x49.4CM(H)
Recommended aquarium size	4-21Gal(15-80L)	10-30Gal(38-115L)	20-50Gal(75-185L)

Model	Filter Accessories list (Standard)		
HG099-S	1PC Activated carbon sponge insert	None	1 Bag of biological media
HG099-M	1PC Activated carbon sponge insert	1PC Black biological sponge	1 Bag of biological media
HG099-L	1PC Activated carbon sponge insert	1PC Black biological sponge	1 Bag of biological media

3. PRODUCT DIAGRAM



4. INSTALLATION DIAGRAM

1. Open the packaging and check the accessories for completeness.
2. Connect the pump connector to the pump and press firmly upwards to create a firm connection between the pump and the connector-as shown in the figure.

FIG 1



Press the connector firmly upwards

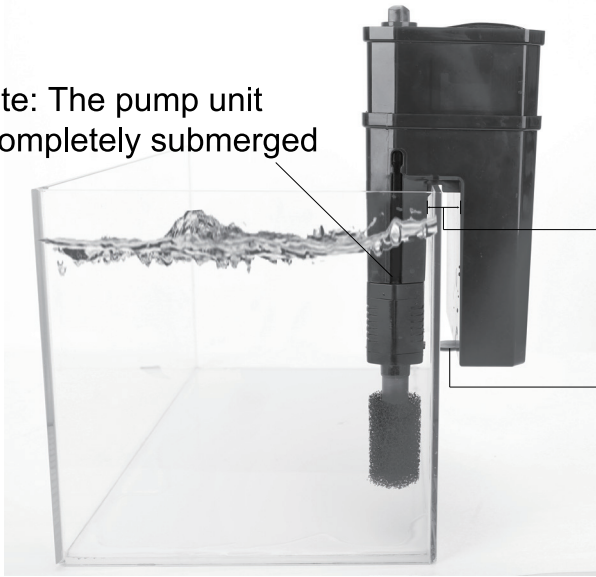
FIG 2



Ensure that the pump and connector are firmly engaged

3. Attach the water inlet tube, extension tube, and the filter sponge, insert the carbon sponge insert and add the biochemical filter balls.
4. Hang the filter on the aquarium glass and adjust the support foot.

Please note: The pump unit must be completely submerged in water



The maximum glass thickness is 18 mm

Adjust the vibration-damping support foot as required

5. First set the flow regulator to the highest flow rate. The filter does not need to be filled with water. Connect to the mains – done.
6. Reminder: To remove the upper filter basket, hold the connecting tube firmly and pull it upwards.



Pull upwards

5. ATTENTIONS

1. Before using the filter for the first time, please check that the rated voltage and frequency of the filter pump printed on the filter match your mains voltage.
2. The socket should be located above the water line of the aquarium so that no water can accidentally run along the cable.
3. For safety reasons, the appliance must be disconnected from the power supply when assembling or disassembling the filter and during cleaning.
4. The plug must not get wet. For safety reasons, never touch it with wet hands.

6. TROUBLESHOOTING

Error	Cause	Solution
The filter does not work	No power supply	Connect the power supply
	The impeller is blocked	Clean the impeller and then reconnect the filter to the power supply
	The filter is burnt out	Contact the seller
	The filter is running dry	Fill the tank with sufficient water and then reconnect the filter to the power supply
	The motor's overheating protection has triggered	Clean the impeller, fill the tank with sufficient water and reconnect the filter to the power supply after waiting 15 minutes
Noise during operation	The filter is running dry	Fill the tank with sufficient water and then reconnect the filter to the power supply
	Blockage in the pump chamber or worn axle	Remove the impeller cover and remove the blockage; replace the impeller and axle
Low water outlet	Dirty filter media	Clean or replace the filter media

7. ONE YEAR LIMITED WARRANTY

This product **MUST** be purchased from an authorized hygger reseller. Visit our website for a list of authorized resellers. hygger warrants this product against defects in materials and workmanship for ONE (1) YEAR from the date of the original retail purchase and is non-transferable.

Warranty on all products, including aquariums. But it is limited to the replacement of the products and does not cover fish loss, personal injury, property loss or direct, incidental or consequential damage caused by using this product.

Note: hygger One-year Limited Warranty does not cover damage caused by the followings: improper installation, saltwater corrosion, electrical surges or modifications. Additionally, products that have been refunded are also not covered under the warranty.

If you discover a defect, please contact hygger, who will, at its option, repair or replace the product at no charge, provided that you return it during the warranty period. A copy of the bill of sale is required as proof of the original purchase date in the event of the product needing repairs within the warranty period. hygger does not warrant any products that are not hygger's.

This warranty does not apply if the product has been damaged by accident, abuse, misuse or misapplication, or modified without the written permission of hygger.

8. DISPOSAL

Do not dispose of this product as unsorted municipal waste. Collection of such waste separately for special treatment is necessary. Collecting and recycling waste is a way of saving natural resources. So, please consult with your local seller to make sure the product is disposed of in an environmentally friendly way.



9. CONTACT INFORMATION

Distributed by: Hygger Aquarium, Inc.
13941 Magnolia Ave, Chino, CA 91710

E-mail: distributor@hyggeraquarium.com

Website: www.hyggeraquarium.com

Trademarks of Shenzhen Mago Trading Co., Ltd
Bantian Group Business Center, Longgang,
Shenzhen City, China
All Rights Reserved
Made in China

EC	REP	E-CrossStu GmbH Mainzer Landstr.69, Frankfurt am Main, Baden-Württemberg, 60329, Germany E-CrossStu@web.de +49 69332967674
-----------	------------	--

UK	REP	YH Consulting Limited C/O YH Consulting Limited Office 147, Centurion House, London Road, Staines-upon-Thames, Surrey, TW18 4AX, London H2YHUK@gmail.com +44 07514-677868
-----------	------------	---



MADE IN CHINA